

# SINGER

## 7060

# LIST OF PARTS

## *Sewing Machine Models*

7060

From the library of: Diamond Needle Corp

by **SINGER**\*



A Publication of Product Support  
International Group Engineering

Part No.317161- 060

Printed in Taiwan

\* A trademark of The Singer Company  
Copyright 1994, Singer Sewing Machine Company

All rights reserved throughout the world

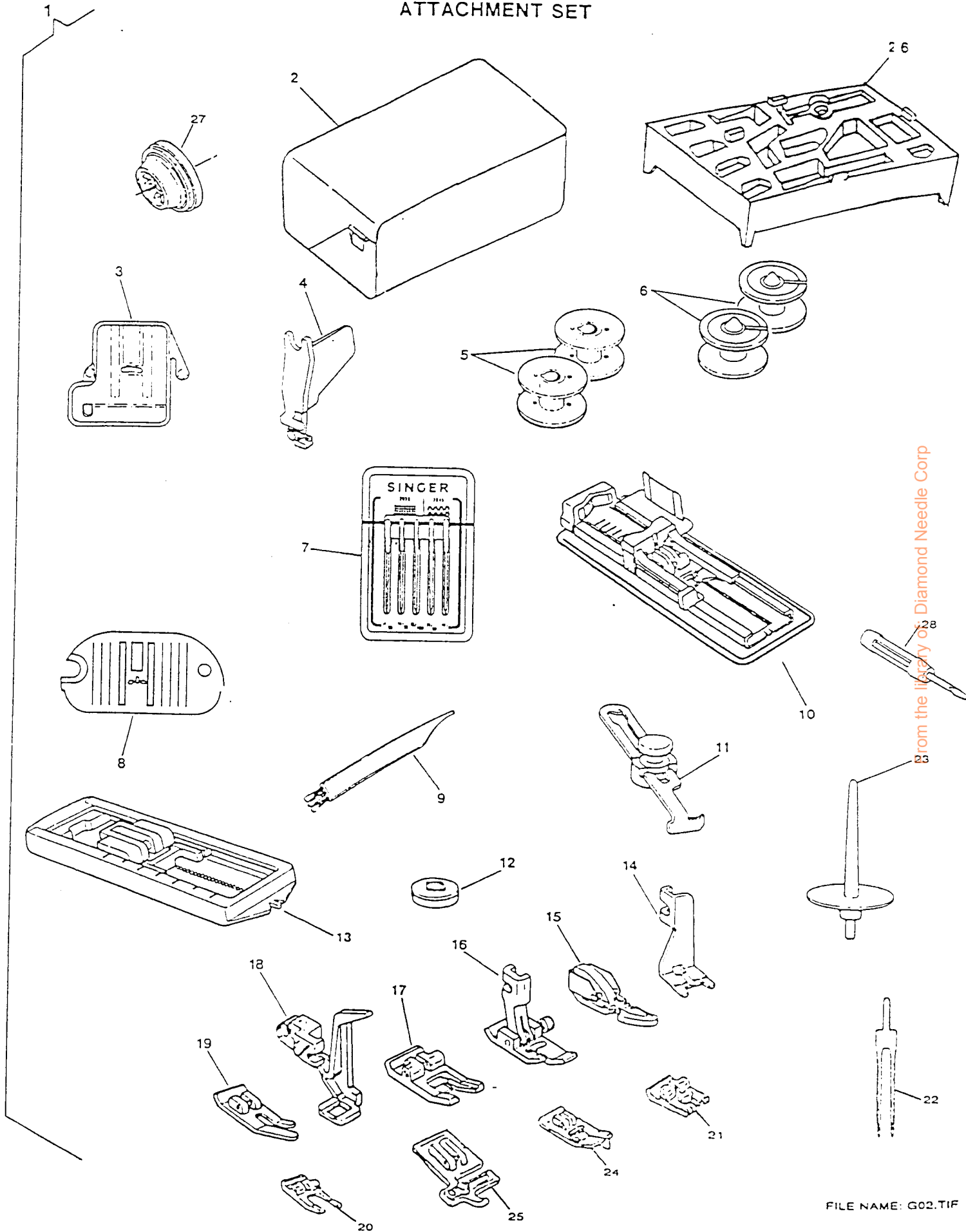
## INDEX

PAGE NO.	SUBASSEMBLY
1, 2	ATTACHMENT SET
3, 4	COVERS AND ADD ONS
5, 8	ARM TOP COVER
9, 10	ARM SHAFT DRIVE SYSTEM
11, 12	HAND WHEEL
13, 14	COAXIAL PRESSER BAR SYSTEM
15, 16	NEEDLE BAR & THREAD TAKE-UP
17, 18	ALPHA FEED
19, 20	HOOK SYSTEM (APOLLO)
21, 22	HOOK AND BOBBIN WINDING SYSTEM (CENTAUR)
23, 28	PATTERN, STITCH LENGTH CONTROL & CAM CONTROLLED FEED
29, 30	DEMAND RESPONSIVE NEEDLE TENSION SYTEM
31, 34	ELECTRICAL EQUIPMENT

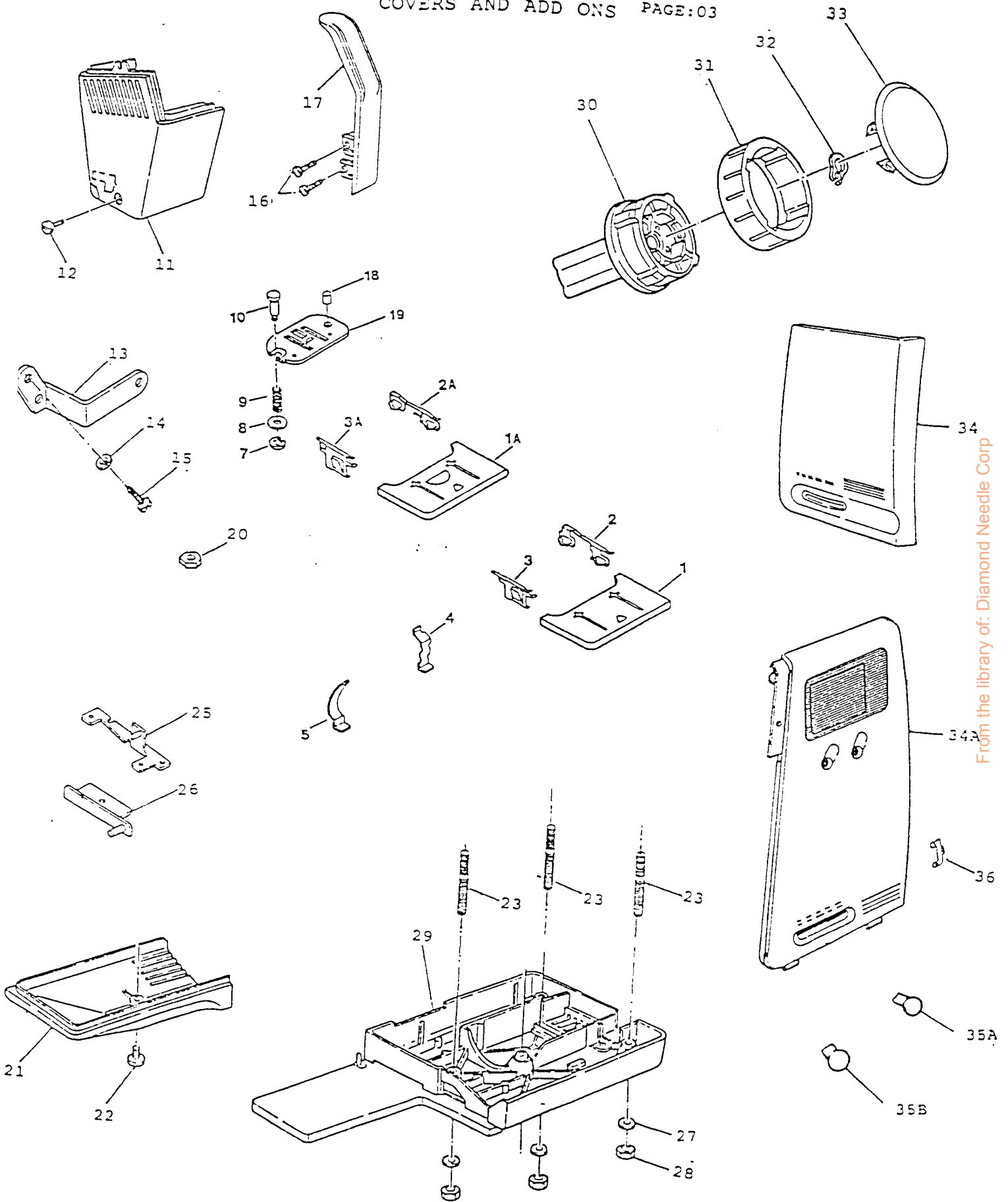
ATTACHMENT SET  
MODEL: 7060N603

REF. PART NO. NO.	DESCRIPTION
1 286639-003	
2 286626	ACCESSORY BOX ASSEMBLY
3 313117	<u>FEED COVER PLATE</u>
4 503277-454	NEEDLE THREADER COMPLETE
6 312956-001	BOBBIN (CENTAUR)
7 353364	NEEDLE PACK (ALT: 384064)
8 313066	<u>THROAT PLATE FOR STRAIGHT SEWING</u>
9 546358-453	LINT BRUSH
10 313093-453	<u>BUTTONHOLE PRESSER FOOT (ONE-STEP) COMPLETE</u>
11 161172	SEAM AND BLINDSTITCH HEM GUIDE COMPLETE
12 507664-467	<u>ARM SPOOL PIN THREAD LEAD-OFF (SMALL, PLASTIC)</u>
13 313992-451	<u>PRESSER FOOT PLAT. (4-STEPS) FOR SEWING BUTTONHOLE</u>
14 381066	<u>PRESSER FOOT PLATE FOR BUTTON SEWING</u>
15 171480	PRESSER FOOT PLATE (SNAP-ON) FOR CORDING AND SLIDE FASTENERS COMPLETE
16 381491	BLIND HEM PRESSER FOOT ASSEMBLY
17 171463	SPECIAL PURPOSE PRESSER FOOT PLATE (SNAP-ON)
18 384037	DARING AND EMBROIDERY FOOT COMPLETE (PLASTIC)
19 353628	<u>PRESSER FOOT PLATE (SNAP-ON) FOR STRAIGHT SEWING</u>
20 317446	OPEN-TOE EMBROIDERY FOOT
21 317263	PINTUCK PRESSER FOOT ASSEMBLY
22 N2025-014	TWIN NEEDLE (SIZE 14)
23 313026-452	SPOOL PIN (PLASTIC) FOR TWIN NEEDLE SEWING
24 541582	OVEREDGE FOOT COMPLETE
25 543106	SHIRring PRESSER FOOT PLATE COMPLETE
26 286620	TOP TRAY OF ACCESSORY BOX
27 179967-461	<u>SPOOL PIN THREAD LEAD-OFF</u>

# ATTACHMENT SET



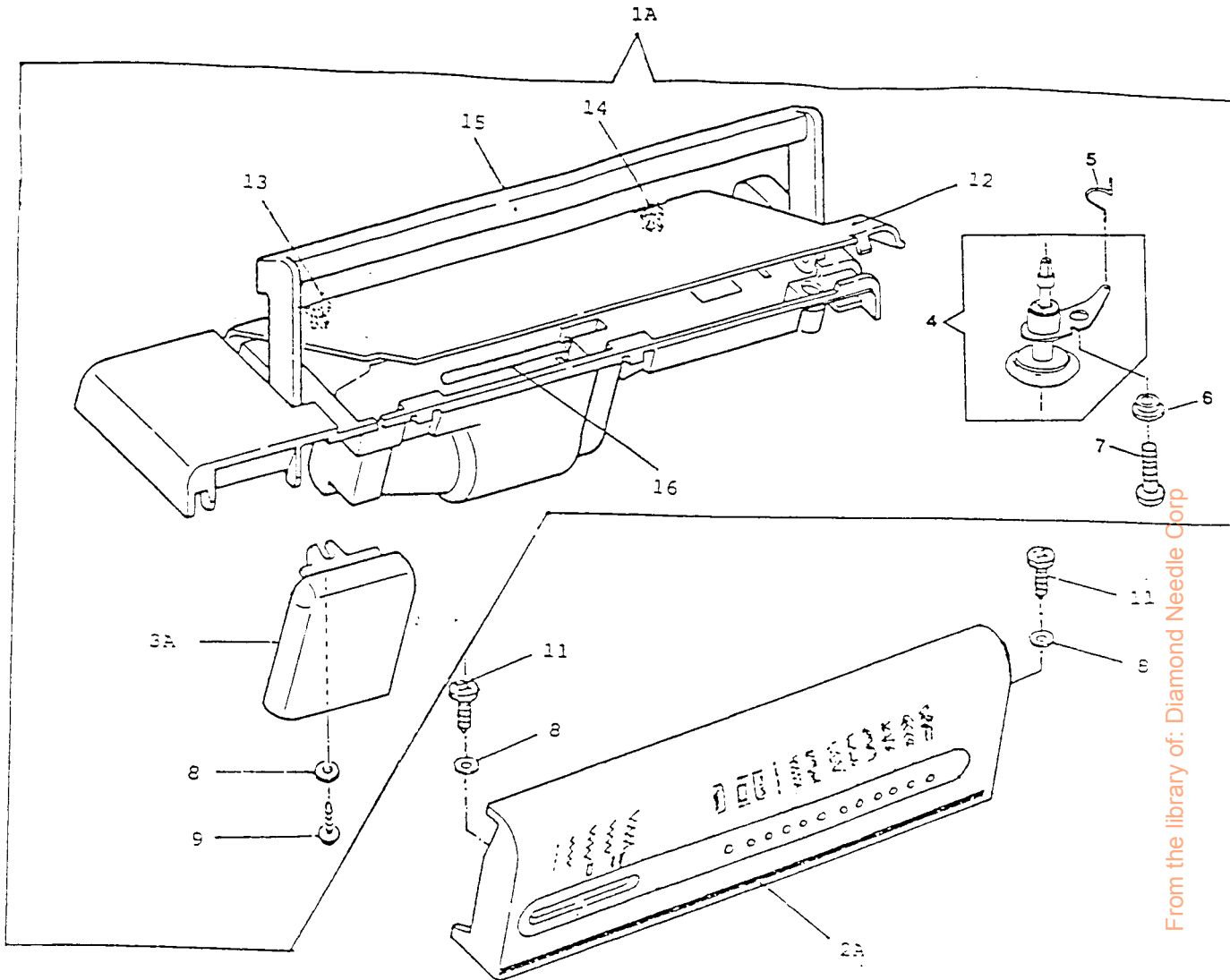
From the library of Diamond Needle Corp



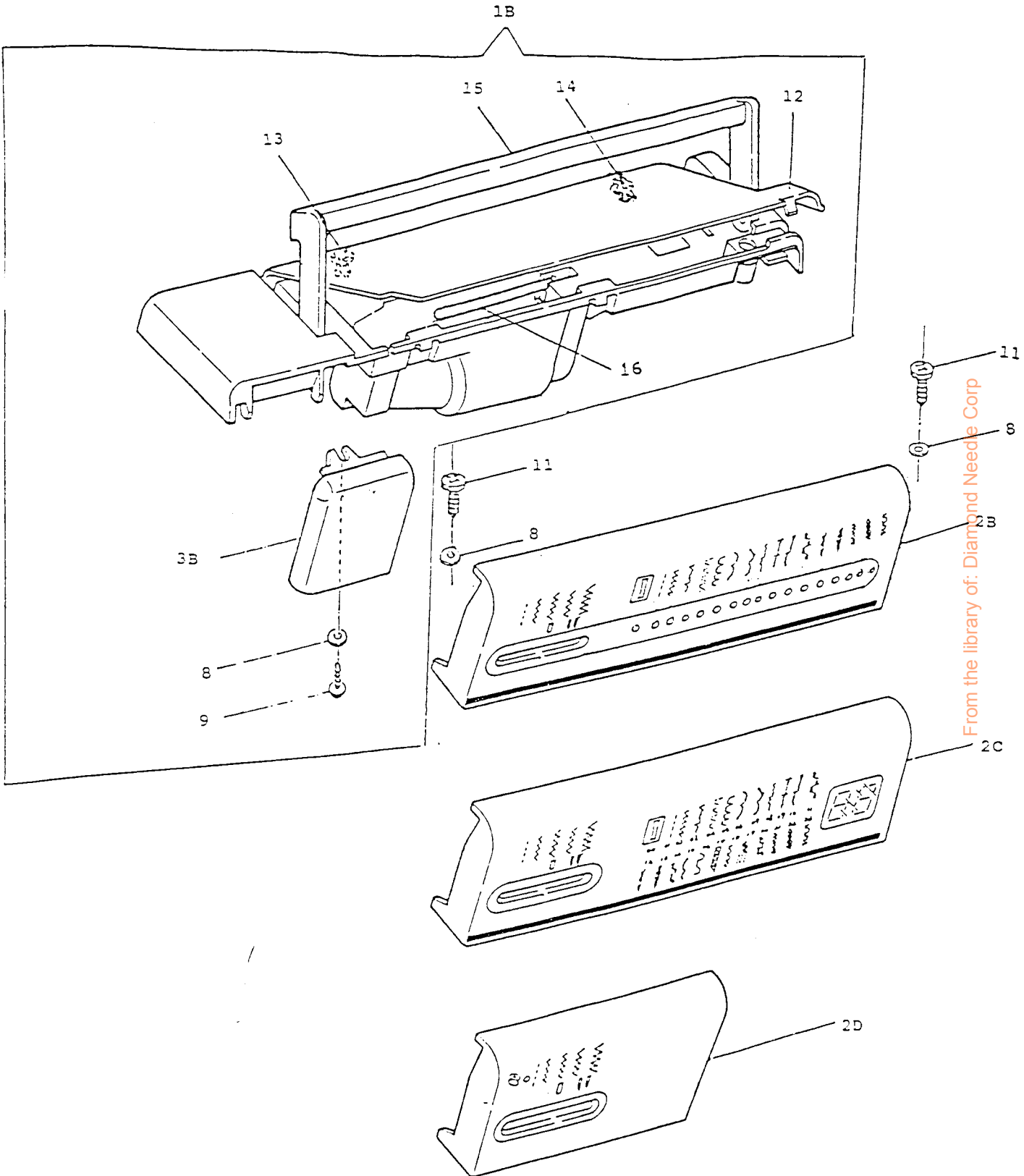
COVERS AND ADD ONS  
MODEL: 7060N603

REF. PART NO. NO.	DESCRIPTION
1A 314109	BED SLIDE ASSEMBLY COMPLETE (ALT:313166)
2A 312779	BED SLIDE SPRING (RIGHT)
3A 313108	BED SLIDE SPRING (LEFT)
7 313098	THROAT PLATE POUNGER RETAINING RING
8 549426-451	THROAT PLATE PUNGER WASHER
9 312805	THROAT PLATE PLUNGER SPRING
10 312804	THROAT PLATE PLUNGER
11 286610-451	FACE PLATE COMPLETE
12 113521-451	FACE PLATE MOUNTING SCREW
13 286680	FACE PLATE MOUNTING BRACKET
14 446138	FACE PLATE MOUNTING BRACKET SCREW WASHER
15 544211-002	FACE PLATE MOUNTING BRACKET SCREW
16 113470-003	THREAD TAKE-UP COVER MOUNTING SCREW
17 286529-902	THREAD TAKE-UP COVER
18 314765	THROAT PLATE LOCATING PIN
19 312777	THROAT PLATE FOR ZIG-ZAG SEWING
20 313049	BED INSERT NUT
21 286505-900	BED COVER (TUBULAR)
22 354633-452	BED COVER (TUBULAR) SCREW
23 286509-451	BASE COVER MOUNTING BOLT
25 286510	HANDLE HINGE BRACKET ASSEMBLY (RIGHT)
26 286513	HANDLE HINGE BRACKET ASSEMBLY (LEFT)
27 314712-451	BOTTOM COVER MOUNTING BOLT WASHER
28 313177-451	BOTTOM COVER MOUNTING BOLT MOUNTING NUT
29 286539-001	BASE PLATE ASSEMBLY
30 286555-900	PATTERN SELECTOR KNOB
31 286561	RING, PATTERN SELECTOR KNOB
32 543855-006	RETAINING RING, PATTERN SELECTOR KNOB
33 286562	PATTERN SELECTOR KNOB CAP
34A 286733-451	STITCH LENGTH CONTROL PANEL WITH GRAPHICS
35A 286548-451	BIGHT AMPLITUDE CONTROL LEVER & STITCH LENGTH CONTROL LEVER KNOB
35B 286524-451	THREAD TENSION KNOB
36 286858-451	STUFFER FOR SINGLE LANGUAGE LCD





ARM TOP COVER (CONT.)



From the library of: Diamond Needle Corp

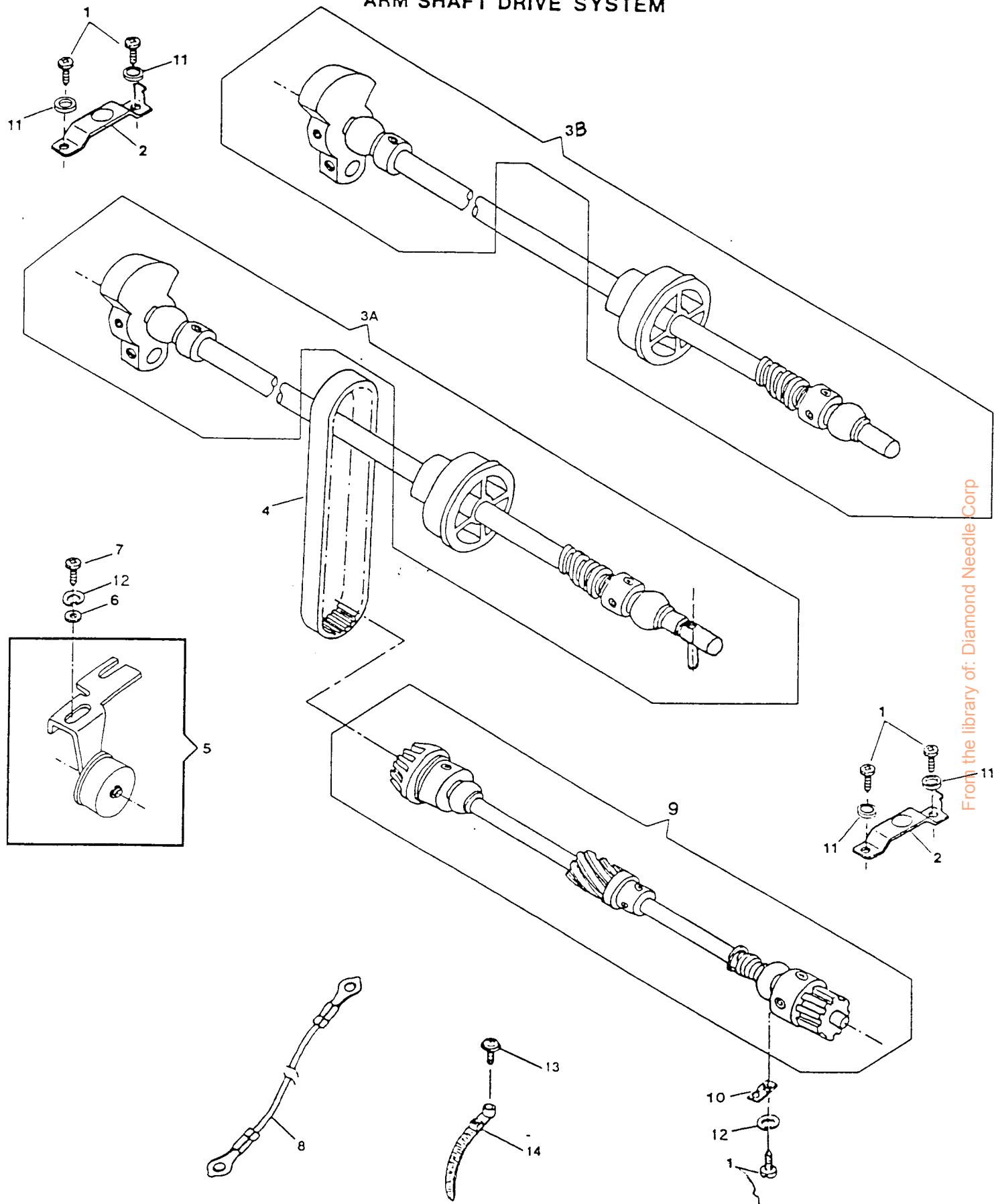
ARM TOP COVER  
MODEL: 7060N603

REF. PART NO.	NO.	DESCRIPTION
1B	286864-004	ARM TOP COVER ASSEMBLY WITH HANDLE (QUANTUM)
2D	286728-001	CONTROL PANEL WITH GRAPHICS
3B	286605-904	CONTROL PANEL EXTENSION WITH GRAPHICS (QUANTUM)
8	502495-451	WASHER, CONTROL PANEL EXTENSION & CONTROL PANEL MOUNTING SCREW
9	113455-003	SCREW, CONTROL PANEL EXTENSION MOUNTING
11	113455-001	SCREW, CONTROL PANEL MOUNTING
12	286839	ARM TOP COVER LID
13	286552-451	ARM TOP COVER LID HINGE (LEFT)
14	286553-451	ARM TOP COVER LID HINGE (RIGHT)
15	286716	MACHINE HANDLE
16	286566-451	SPOOL PIN

ARM SHAFT DRIVE SYSTEM  
MODEL: 7060N603

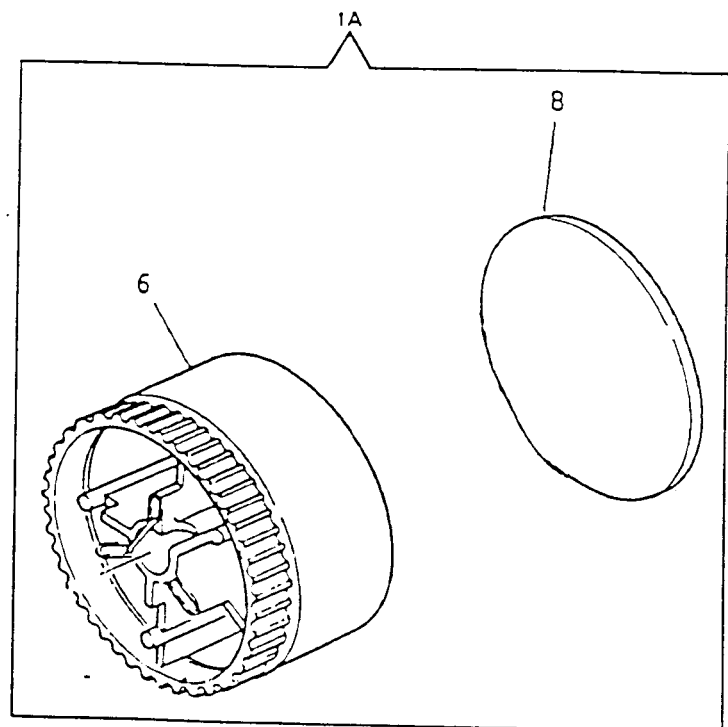
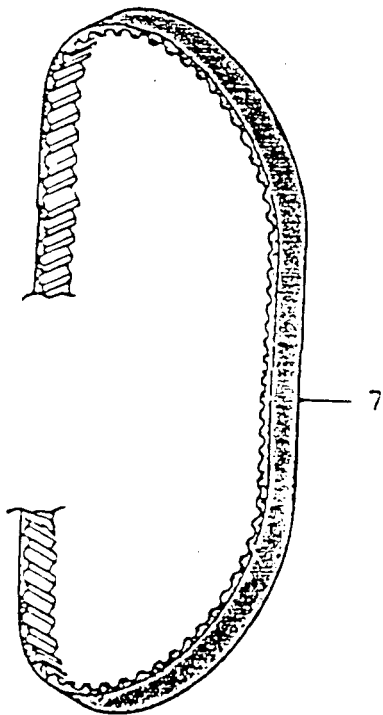
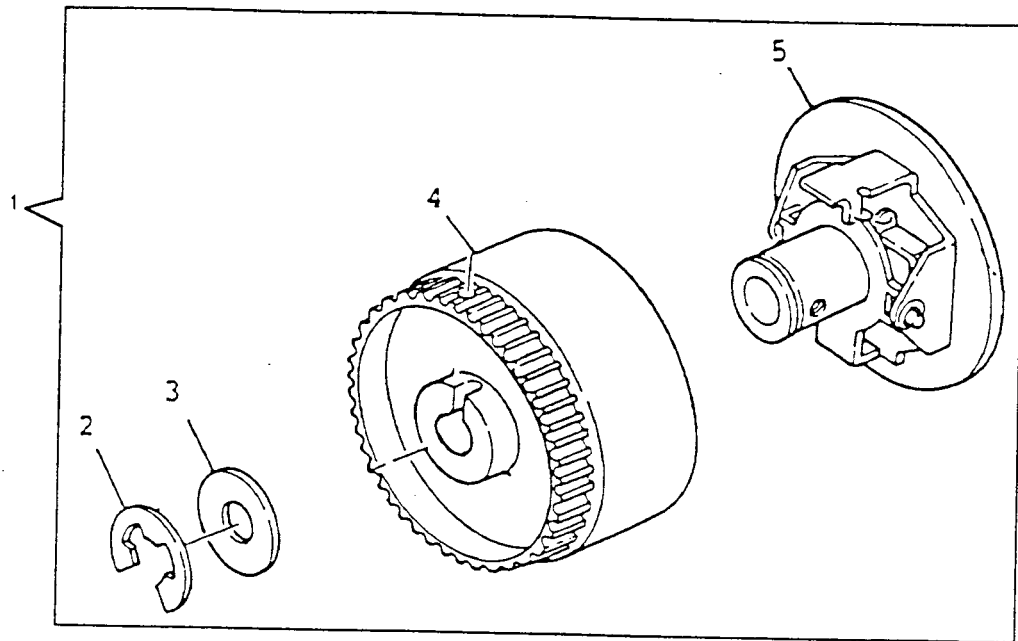
REF. PART NO.	NO.	DESCRIPTION
1	113455-002	ARM SHAFT (HORIZONTAL) BUSHING (LEFT & RIGHT) CLAMP SCREW
2	312796-452	ARM SHAFT BUSHING CLAMP
3A	286580-002	ARM SHAFT ASSEMBLY (CENTAUR)
4	603975-011	BELT (ROTATING HOOK DRIVE) ALT: 603975-012
5	313195	IDLER BRACKET ASSEMBLY
6	314041-451	ROTATING HOOK DRIVING BELT TENSION ADJUSTER SCREW WASHER
7	113455-002	ROTATING HOOK DRIVING BELT TENSION ADJUSTER SCREW
8	286824	GROUNDING LEAD ASSEMBLY
9	314010	ROTATING HOOK DRIVE SHAFT SUB-ASSEMBLY
10	313184-001	ROTATING HOOK DRIVE SHAFT BUSHING (SELF ALIGNING) CLAMP
11	314013-451	ARM SHAFT BUSHING CLAMP SCREW LOCK WASHER
12	314013-451	ROTATING HOOK DRIVE SHAFT BUSHING CLAMP SCREW LOCK WASHER
13	113455-003	SCREW, CABLE TIE MOUNTING
14	604690-001	SELF LOCKING NYLON CABLE TIE

# ARM SHAFT DRIVE SYSTEM



From the library of: Diamond Needle Corp

# HAND WHEEL



HAND WHEEL  
MODEL: 7060N603

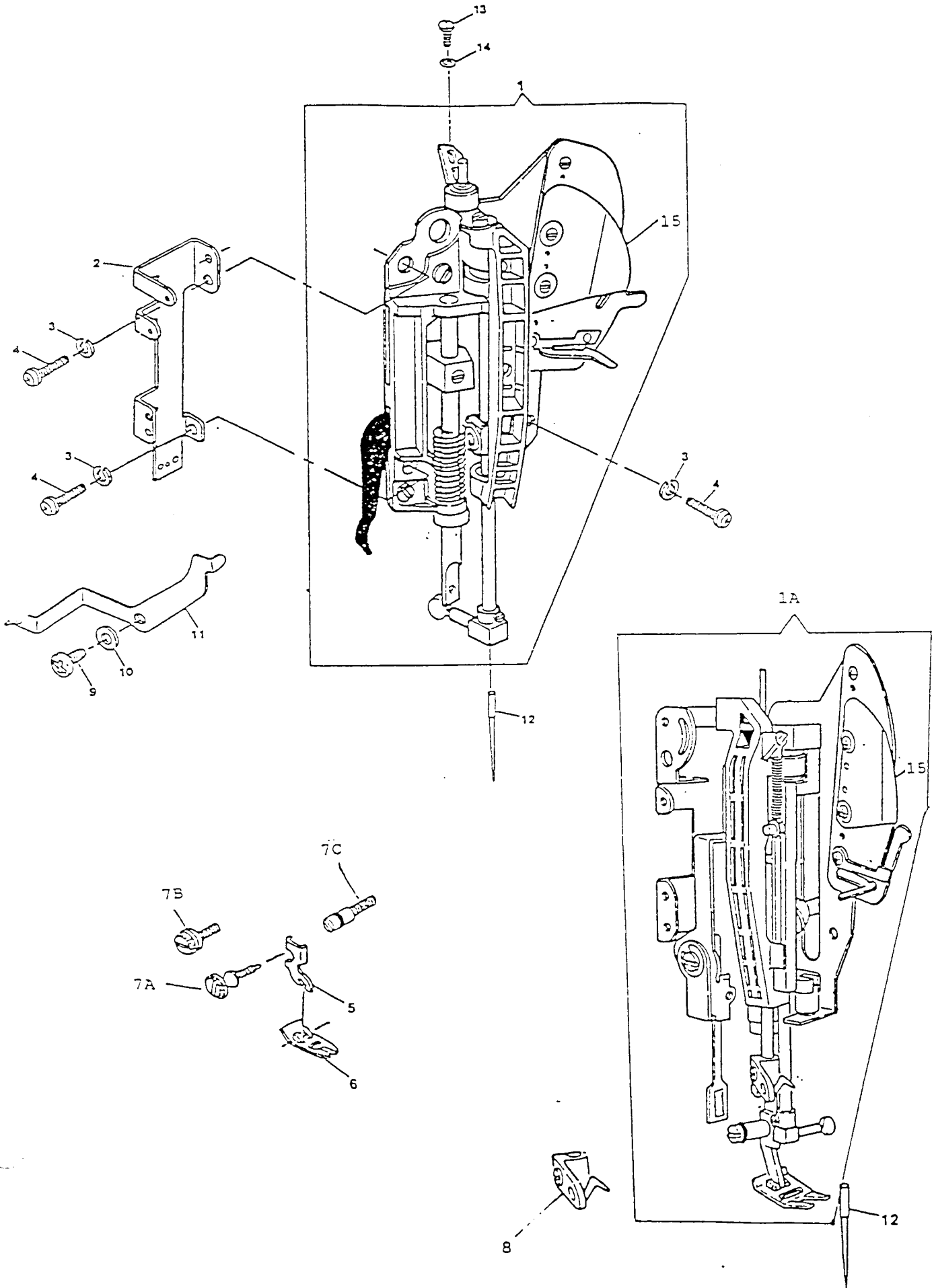
REF. PART NO.	PART NO.	DESCRIPTION
1A	286831-001	HAND WHEEL ASSEMBLY
6	286719	HAND WHEEL SPRING SUB-ASSEMBLY
7	312628-001	BELT (MOTOR DRIVE)
8	286692-451	HAND WHEEL COVER PLATE

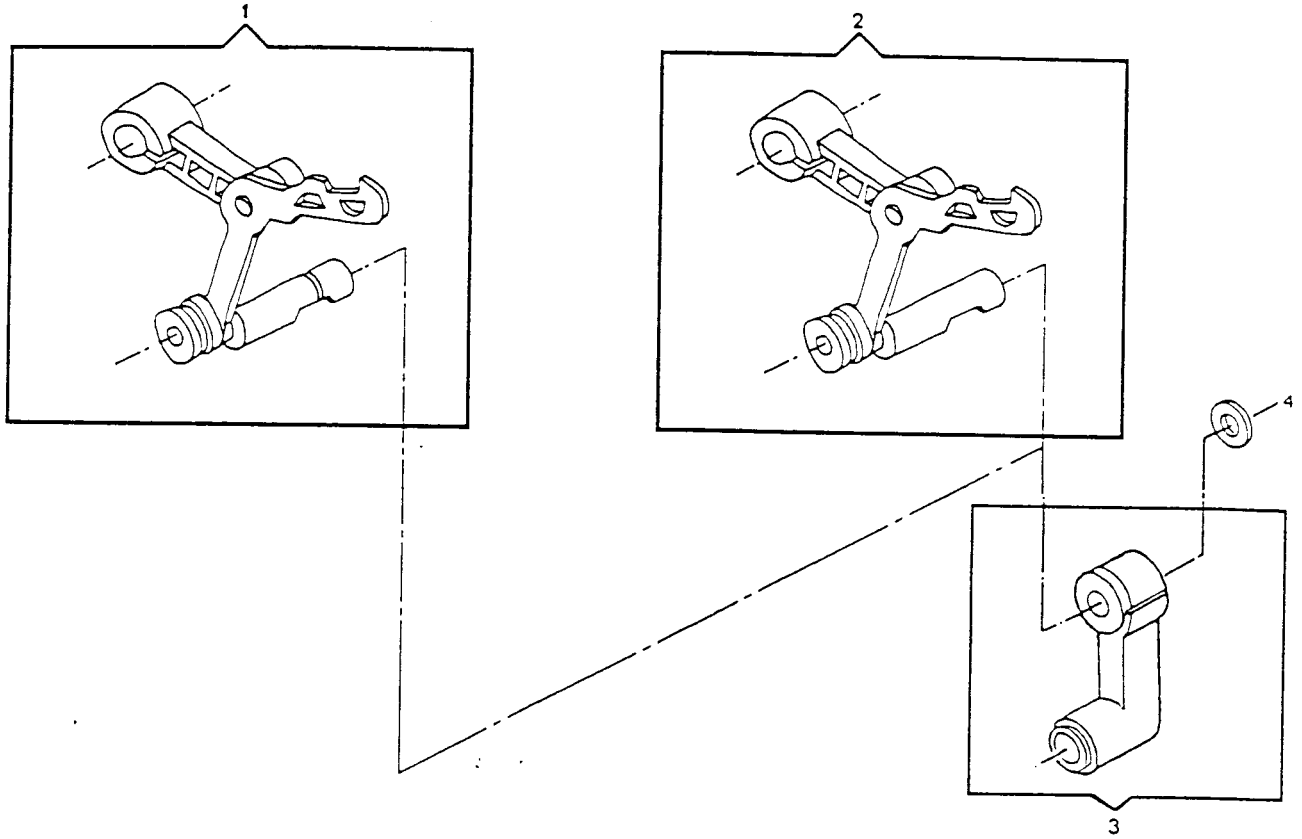
COAXIAL PRESSER BAR SYSTEM  
MODEL: 7060N603

REF. PART NO.	PART NO.	DESCRIPTION
1A	286672	HEAD END MODULE (CENTAUR)
2	286784	FACE PLATE MOUNTING BRACKET
3	313955-451	HEAD END MOUNTING PLATE LOCK WASHER
4	113455-012	HEAD END MOUNTING PLATE SCREW
5	370502-001	PRESSER FOOT SHANK (SNAP-ON)
6	313150	PRESSER FOOT PLATE (SNAP-ON) FOR ZIG-ZAG SEWING
7C	286677-451	PRESSER FOOT THUMB SCREW & BOBBIN WINDER THREAD HOLDER ASSEMBLY
8	286681-001	NEEDLE THREADER COMPLETE
9	113455-001	NEEDLE THREAD TENSION RELEASE LEVER HINGE SCREW
10	314041-451	NEEDLE THREAD TENSION RELEASE LEVER RETAINING WASHER
11	314589	NEEDLE THREAD TENSION RELEASE LEVER ASSEMBLY
12	N2020-014	NEEDLE (SIZE NO.14)
13	113408-001	NEEDLE BAR DRIVING ARM BALL JOINT SCREW
14	931929-004	NEEDLE BAR DRIVING ARM BALL JOINT SCREW WASHER
15	314690	THREAD PINCH PLATE



COAXIAL PRESSER BAR SYSTEM FOR NEW HEAD END





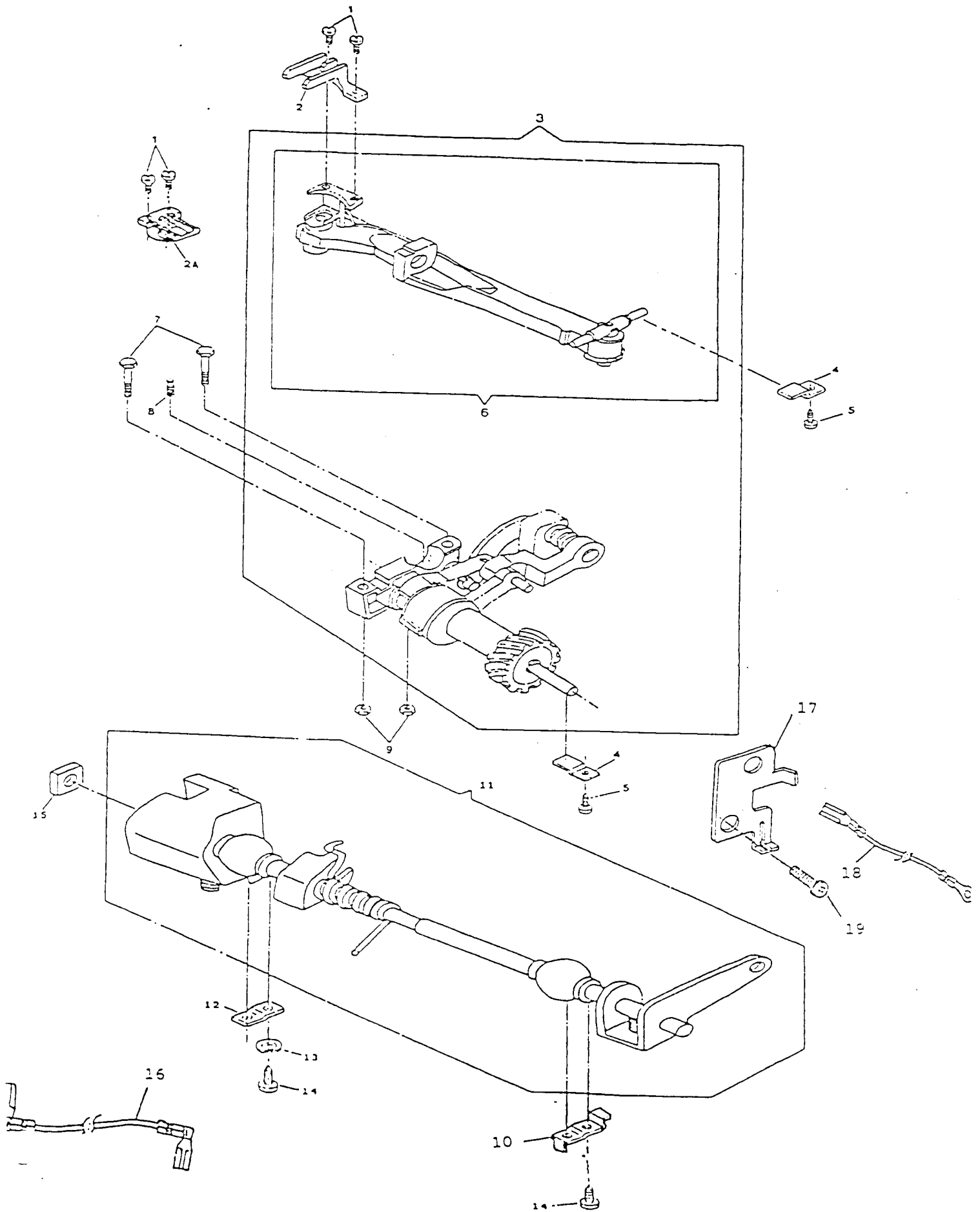
From the library of: Diamond Needle Corp

NEEDLE BAR & THREAD TAKE-UP  
MODEL: 7060N603

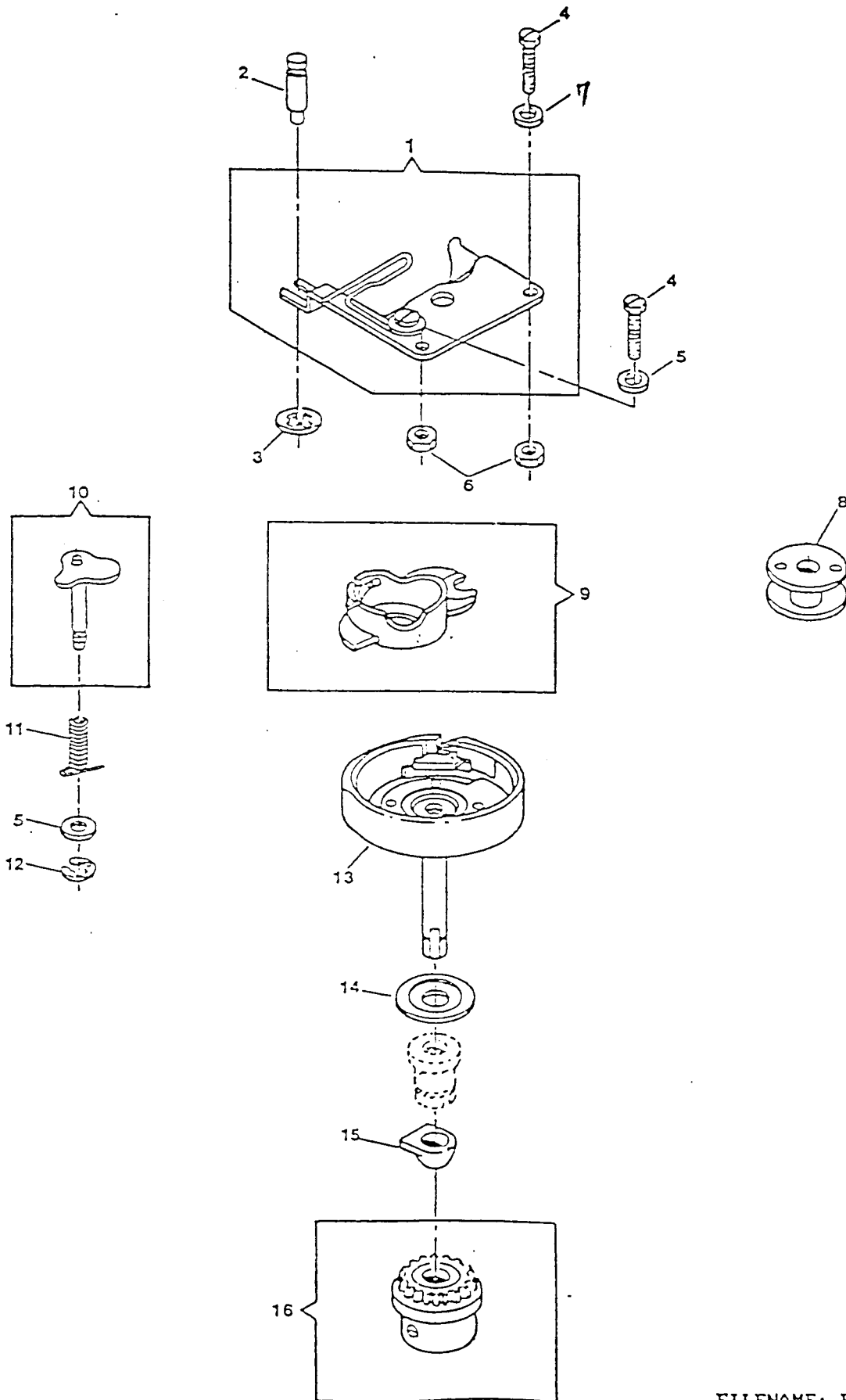
REF. PART NO.	PART NO.	DESCRIPTION
2	314699	THREAD TAKE-UP COMPLETE (CENTAUR)
3	137528-901	NEEDLE BAR CONNECTING LINK
4	314071	WASHER, THREAD TAKE-UP LEVER

ALPHA FEED  
MODEL: 7060N603

REF. PART NO.	PART NO.	DESCRIPTION
1	141920-452	FEED DOG SCREW
2	313021	FEED DOG (ZINC) (CENTAUR)
3	314140-001	ALPHA FEED MODULE
4	312851	FEED BAR PIVOT HING STUD CLAMP
5	113455-003	CLAMP SCREW
6	314141	FEED BAR ASSEMBLY
7	354921-451	FEED & ROTATING HOOK DRIVE SHAFT BEARING BLOCK SCREW
8	314070	ROTATING HOOK DRIVE SHAFT BUSHING SPING
9	514674-451	FEED & ROTATING HOOK DRIVE SHAFT BEARING BLOCK MOUNTING SCREW NUT
10	286817	FEED REGULATOR SHAFT BUSHING CLAMP
11	313133	FEED REGULATOR SHAFT ASSEMBLY
12	313816	FEED REGULATOR SHAFT BUSHING (SELF-ALIGNING) CLAMP
13	314013-451	FEED REGULATOR SHAFT BUSHING (SELF-ALIGNING) CLAMP SCREW LOCK WASHER
14	113455-001	FEED REGULATOR SHAFT BUSHING (SELF-ALIGNING) CLAMP SCREW
15	511030	FEED REGULATOR SLIDE BLOCK
16	317479-001	GROUNDING LEAD ASSEMBLY (R/H DRIVE)
17	313852	ROTATING HOOK GROUNDING CLIP
18	317470-001	GROUNDING LEAD ASSEMBLY (ROTATING HOOK)
19	113455-001	SCREW, ROTATING HOOK GROUND CLIP



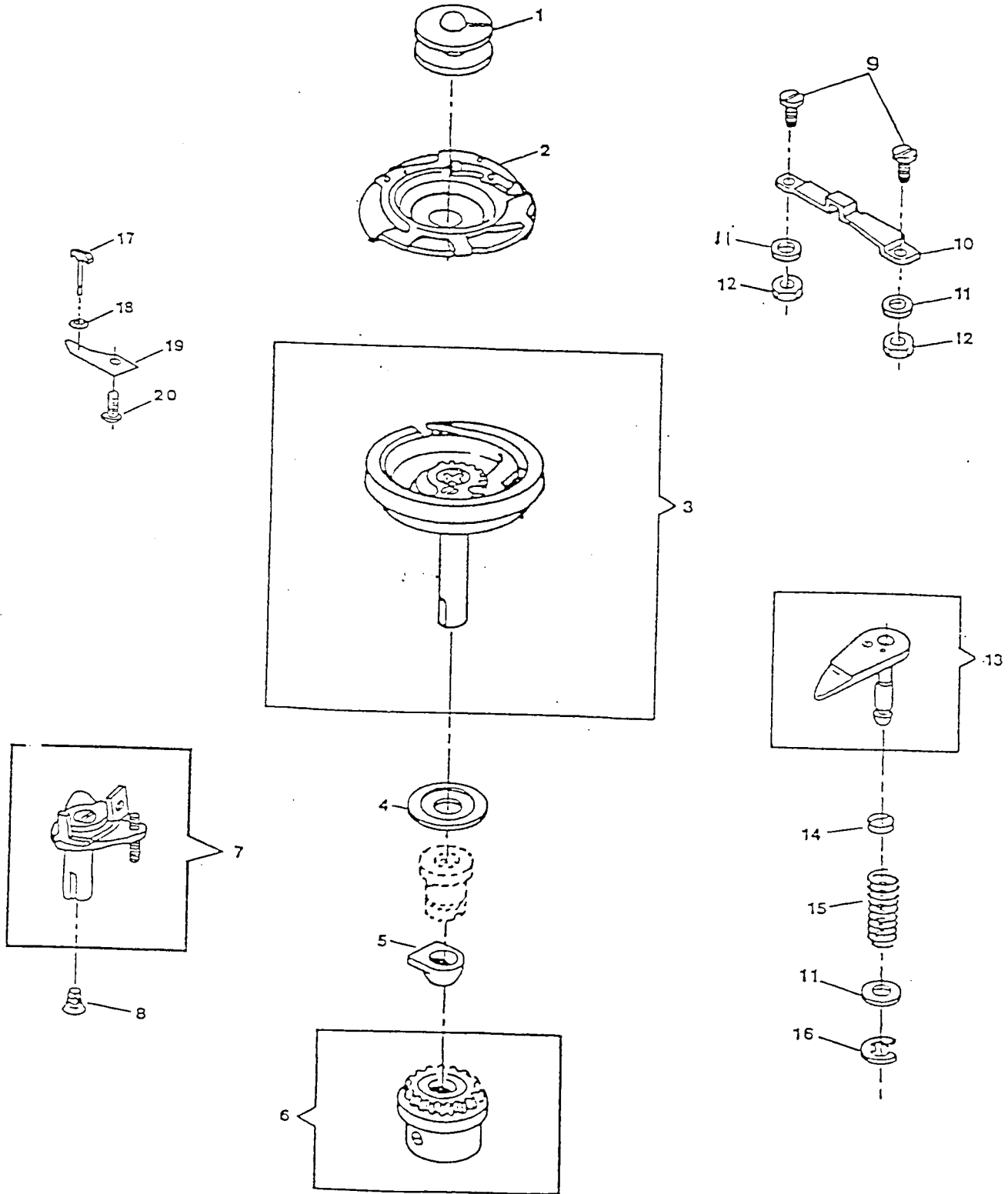
# HOOK SYSTEM (APOLLO)



From the library of: Diamond Needle Corp

HOOK SYSTEM (CENTAUR)  
MODEL: 7060N603

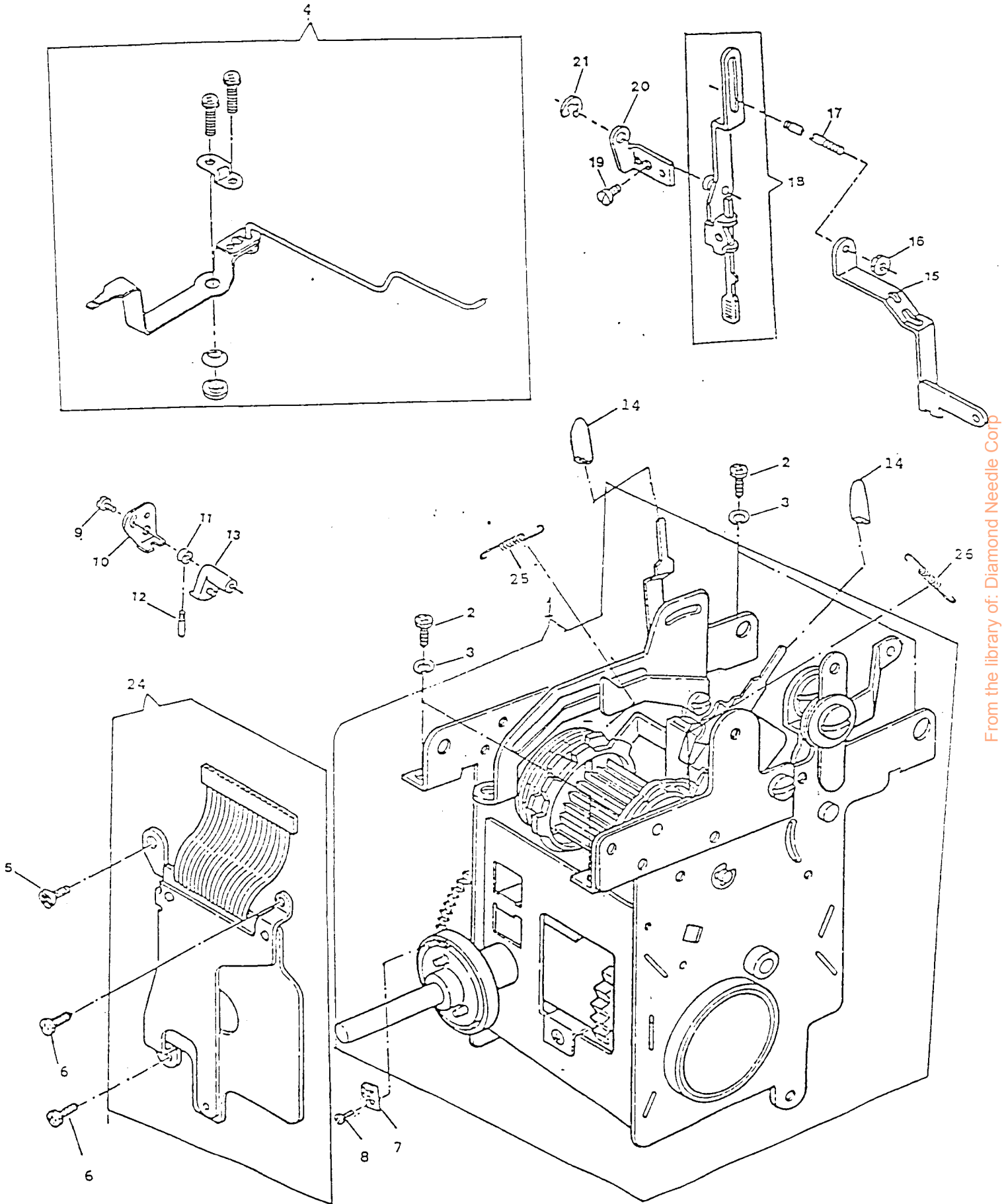
REF. PART NO.	NO.	DESCRIPTION
1	312956-001	BOBBIN
2	314662-001	ROTATING HOOK BOBBIN CASE COMPLETE
3	313183-002	ROTATING HOOK ASSEMBLY
4	314049-001	ROTATING HOOK FLANGED BUSHING THRUST WASHER
5	312847	ROTATING HOOK FLANGED BUSHING WASHER
6	314012	ROTATING HOOK BEVEL GEAR COMPLETE
7	313956	BED SLIDE ACTUATING LEVER ASSEMBLY
8	354929-451	BED SLIDE ACTUATING LEVER STUD SCREW
9	113439-451	ROTATING HOOK BOBBIN CASE POSITION PLATE SCREW
10	312738	ROTATING HOOK BOBBIN CASE POSITION PLATE
11	313190-451	ROTATING HOOK BOBBIN CASE POSITION PLATE SCREW WASHER
12	313945-451	ROTATING HOOK BOBBIN CASE POSITION PLATE SCREW NUT
13	313088	ROTATING HOOK BOBBIN CASE RETAINING PLATE COMPLETE
14	313930	ROTATING HOOK BOBBIN CASE RETAINING PLATE RETURN SPRING
15	314072	ROTATING HOOK BOBBIN CASE RETAINING PLATE SPRING
16	312702	ROTATING HOOK BOBBIN CASE RETAINING PLATE SPRING RETAINING RING
17	314766	BED SLIDE STOP PIN
18	314768	BED SLIDE STOP PIN RETAINING RING
19	314767	BED SLIDE STOP PIN SPRING
20	113445-006	SCREW, BED SLIDE STOP PIN



From the library of: Diamond Needle Corp



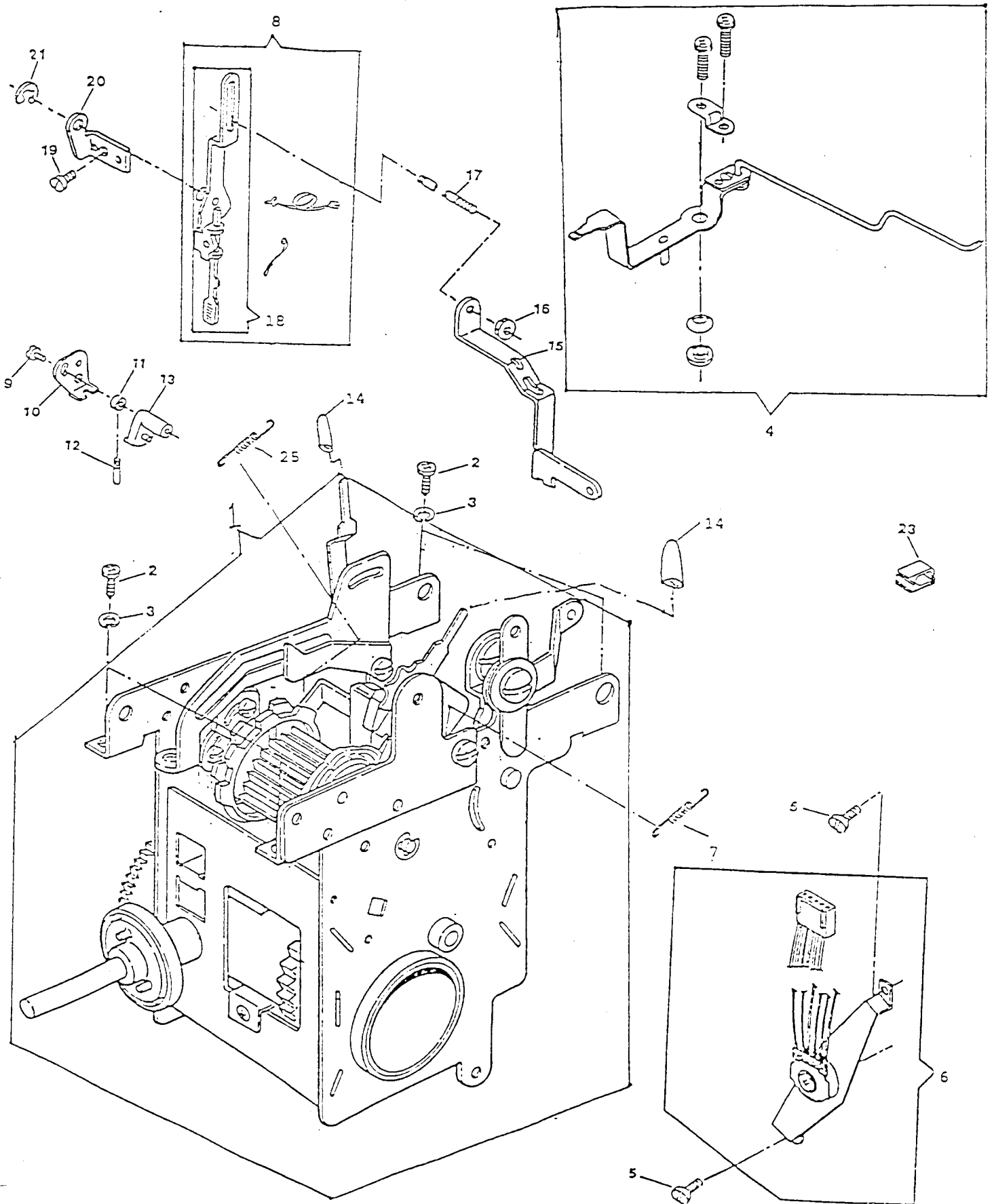
PATTERN, STITCH LENGTH CONTROL & CAM CONTROLLED FEED (CONT.)



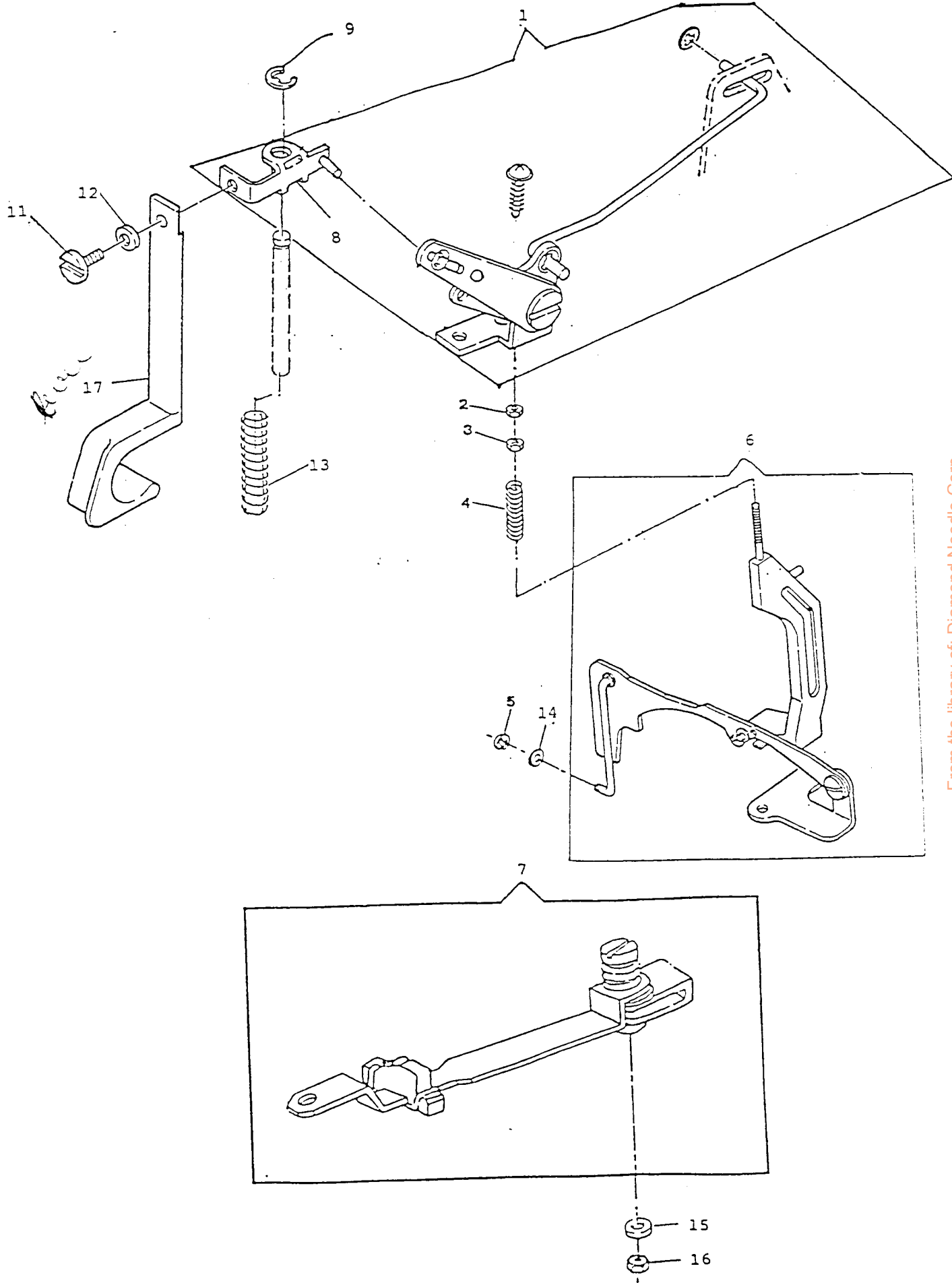
PATTERN, STITCH LENGTH CONTROL & CAM CONTROLLED FEED  
MODEL: 7060N603

REF. PART NO.	PART NO.	DESCRIPTION
1	286835-001	PATTERN SELECTOR MODULE
2	113455-001	DISC SELECTOR MECHANISM MOUNTING PLATE SCREW (LEFT AND RIGHT)
3	314013-451	DISC SELECTOR MECHANISM MOUNTING PLATE SCREW (LEFT AND RIGHT) LOCK WASHER
4	286738-002	BIGHT AMPLITUDE CONTROL LEVER ASSEMBLY
5	544211-001	SCREW
6	317253-001	ROTARY SWITCH ASSEMBLY COMPLETE
7	314497	NEEDLE BAR DRIVING ARM SLIDE POSITIONING SPRING
8	286769	BUTTONHOLE KICK-OUT SHAFT TRIP
9	544211-010	BUTTONHOLE ACTUATOR CAM ADJUSTING BRACKET SCREW
10	313073	BUTTONHOLE ACTUATOR CAM ADJUSTING BRACKET
11	313022	BUTTONHOLE FOLLOWER HUB RELEASE
12	313023	BUTTONHOLE FOLLOWER HUB RELEASE PIN
13	313025	BUTTONHOLE ACTUATOR CAM
14	286865-451	NEEDLE POSITION CONTROL LEVER & STITCH BALANCE CONTROL LEVER KNOB
15	313005	BUTTONHOLE DISC CONTROL CATCH RELEASE LING
16	314763-451	BUTTONHOLE TRIPPING ROD ADJUSTING AND LOCKING NUT
17	312982	BUTTONHOLE TRIPPING LEVER ROD
19	354877-451	BUTTONHOLE PIVOT LEVER SCREW
20	286782	BUTTONHOLE LEVER PIVOT
21	312685	BUTTONHOLE KICK-OUT SHAFT TRIPPING LEVER RETAINING RING
23	317340	SELF-ADHESIVE WIRE CLIP (FC-1)
25	313799	BUTTONHOLE ACTUATOR ADJUSTING ROD SPRING

PATTERN, STITCH LENGTH CONTROL & CAM CONTROLLED FEED (CONT.)



PATTERN, STITCH LENGTH CONTROL & CAM CONTROLLED FEED (CONT.)



From the library of: Diamond Needle Corp

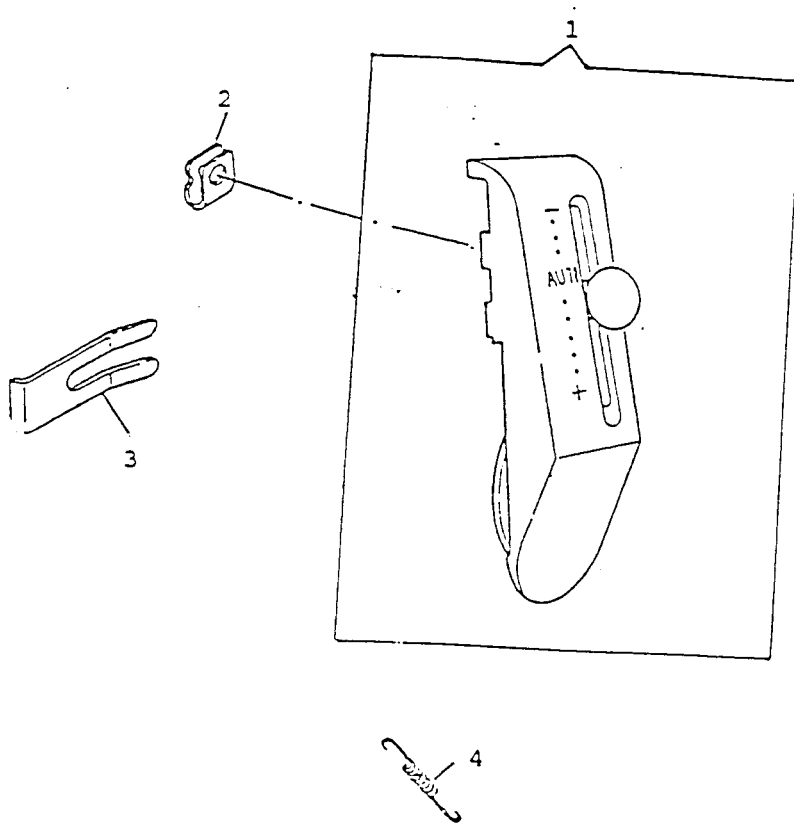
PATTERN, STITCH LENGTH CONTROL & CAM CONTROLLED FEED (CONT.)  
MODEL: 7060N603

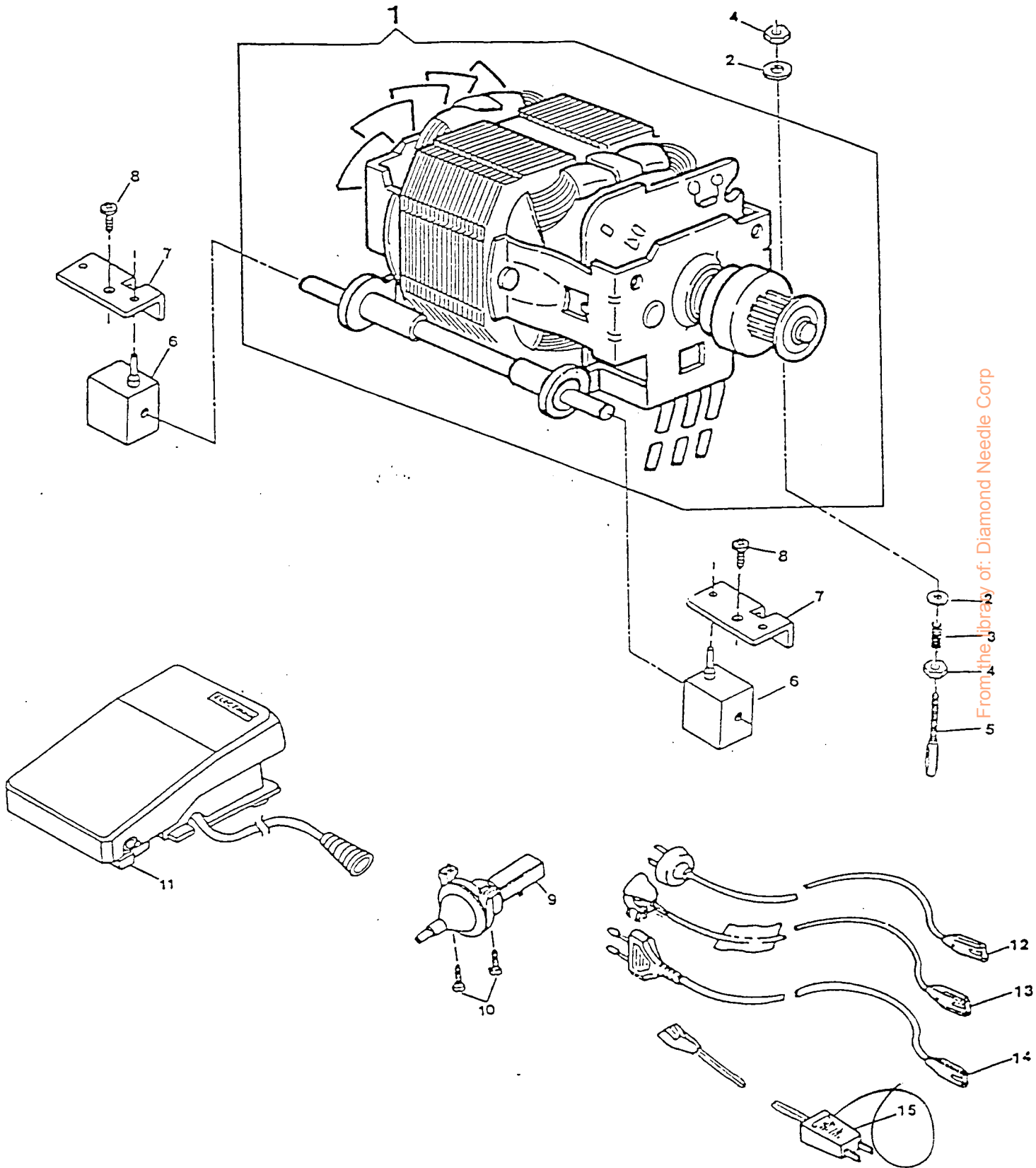
REF. PART NO.	NO.	DESCRIPTION
1	286739	REVERSE FEED CONTROL LEVER ASSEMBLY
2	514674-451	CAM CONTROLLED FEED CONNECTING ROD LOCKING NUT
3	312645-451	CAM CONTROLLED FEED DISC FOLLOWER ACTUATOR CONNECTING ROD ADJUSTING
4	313143	CAM CONTROLLED FEED DISC FOLLOWER ACTUATOR CONNECTING ROD SPRING
5	312702	FEED LEVER CONNECTING LINK RETAINING RING
6	286597-001	REVERSE FEED MACHANISM
7	286598-002	STITCH LENGTH CONTROL LEVER ASSEMBLY
8	286710	REVERSE FEED CONTROL LEVER CONNECTING PLATE ASSEMBLY
9	312686	RETAINING RING, REVERSE FEED COPNTROL LEVER CONNECTING PLATE
11	286712	REVERSE FEED CONTROL LEVER HINGE STUD
12	314013-451	DISC SELECTOR MECHANISM MOUNTING PLATE SCREW LOCK WASHER
13	370451	REVERSE FEED CONTROL LEVER CONNECTING PLATE RETURN SPRING
14	313891-000	CAM CONTROLLED FEED CONNECTING ROD STABILIZING WASHER
15	313172-451	STITCH LENGTH CONTROL LEVER PIVOT LOCK WASHER
16	313177-451	STITCH LENGTH CONTROL LEVER NUT
17	286660-901	REVERSE FEED CONTROL LEVER (SNOW WHITE)

DEMAND RESPONSIVE NEEDLE TENSION SYSTEM  
MODEL: 7060N603

REF. PART NO.	PART NO.	DESCRIPTION
1	286616-001	THREAD TENSION MODULE
2	313199	TENSION COVER MOUNTING RETAINER
3	313047-452	TENSION COVER RETAINING CLIP
4	317478	GROUNDING SPRING (TENSION MODULE)

DEMAND RESPONSIVE NEEDLE TENSION SYSTEM





From the library of: Diamond Needle Corp



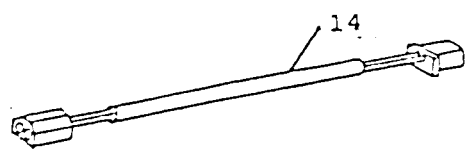
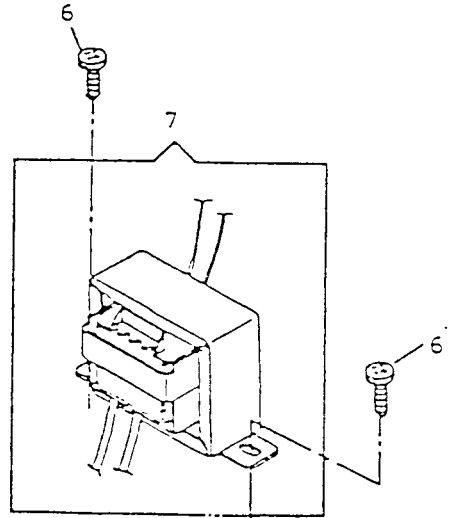
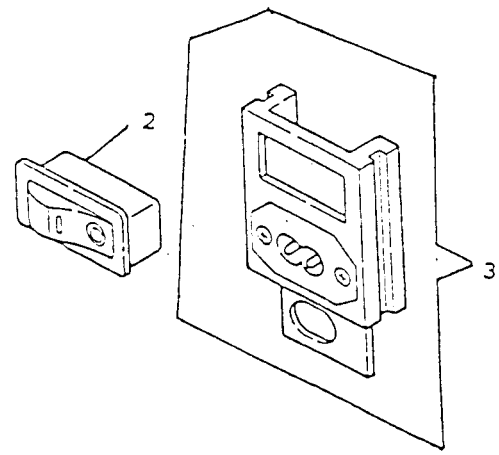
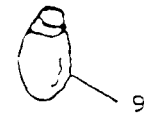
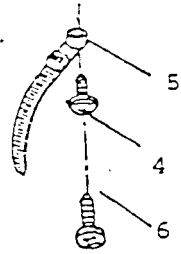
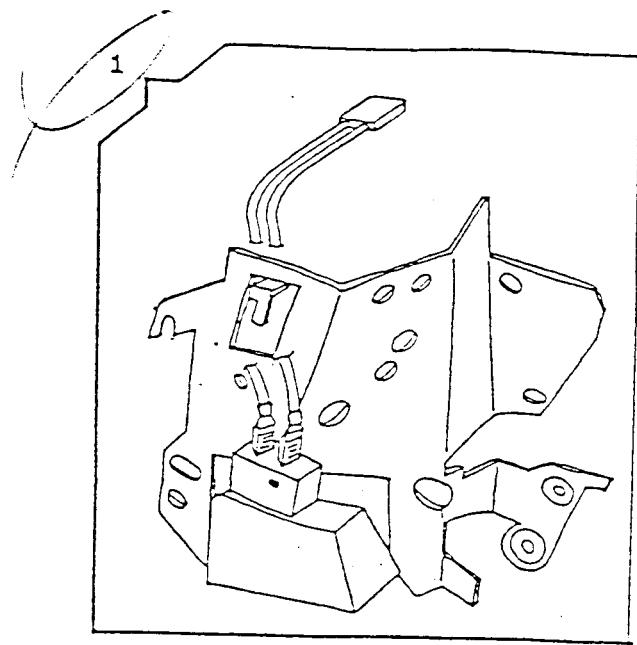
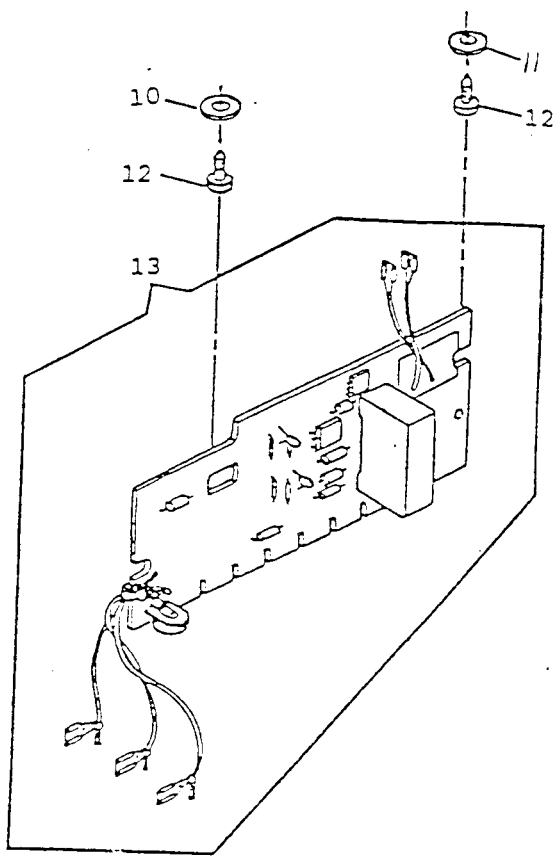
ELECTRICAL EQUIPMENT  
MODEL: 7060N603

REF. PART NO.	PART NO.	DESCRIPTION
1	988529-022	MOTOR COMPLETE (120 VOLT)
2	37969	MOTOR ADJUSTING STUD NUT WASHER
3	314058	MOTOR BELT TENSION SPRING
4	53646	MOTOR ADJUSTING STUD NUT
5	988653-001	MOTOR ADJUSTING STUD
6	979329-001	RESILIENT MOUNT
7	988651-001	CLIP
8	113470-004	MOTOR MOUNTING SCREW
9	988549-005	PNEUMATIC TRANSDUCER
10	113444-003	PNEUMATIC TRANSDUCER MOUNTING SCREW
11	979583-003	PNEUMATIC CONTROLLER ASSEMBLY
15	988638-009	APPLIANCE COUPLER (120 VOLT) FOR (U.S.A. & CANADA)

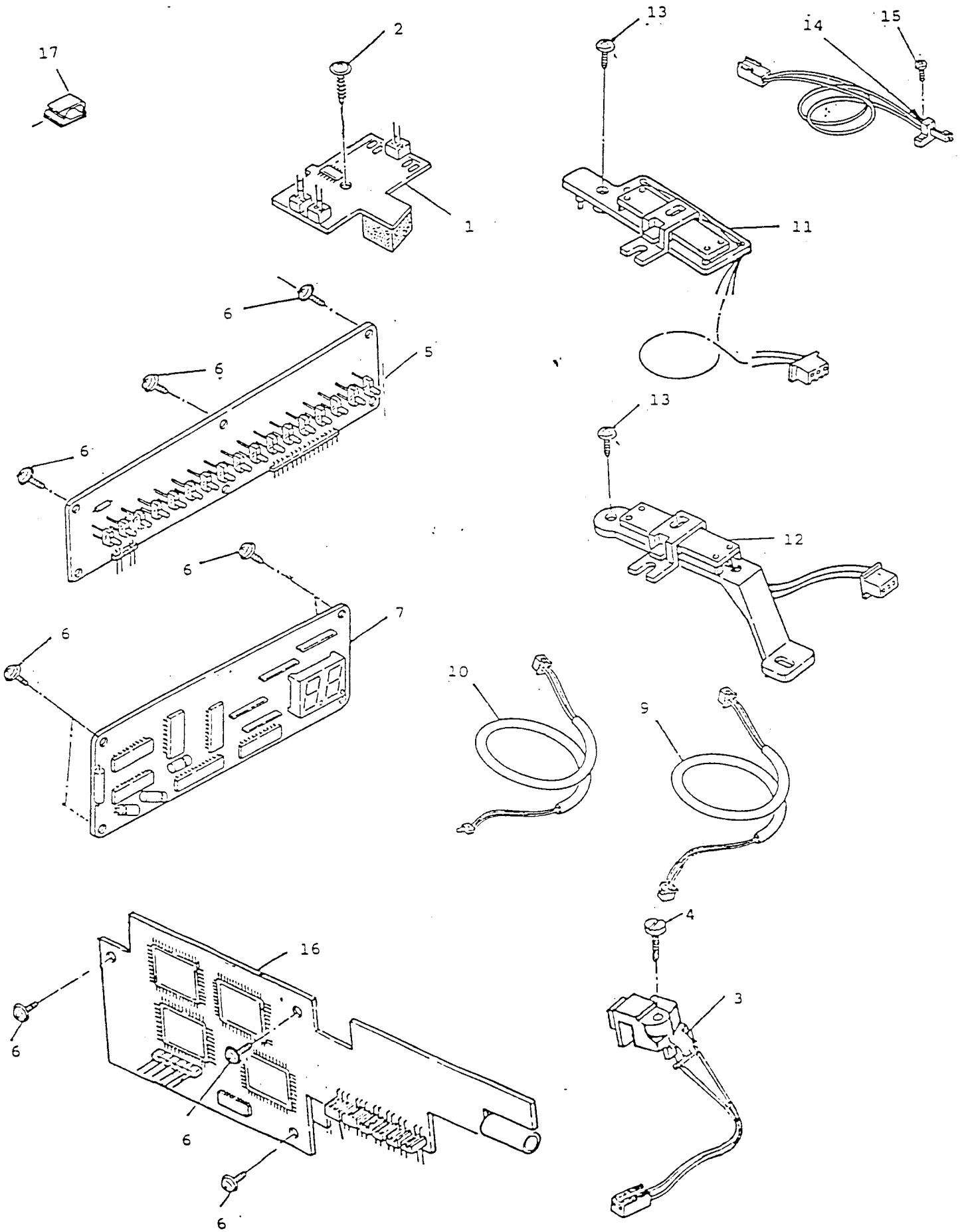
ELECTRICAL EQUIPMENT (CONT.)  
MODEL: 7060N603

REF. NO.	PART NO.	DESCRIPTION
<del>1</del>	<del>317095-002</del>	<del>LINT AND HEAD SHIELD ASSEMBLY</del>
2	979585-006	ROCKER SWITCH
3	286751	APPLIANCE COUPLER HOLDER ASSEMBLY
4	113455-002	SCREW, CABLE TID MOUNTING
5	604690-001	SELF LOCKING NYLON CABLE TIE
6	113455-003	SCREW, CABLE TIE MOUNTING AND TRANSFORMER MOUNTING
7	317347-201	TRANSFORMER ASSEMBLY WITH LEAD (LCD 120V)
9	979603-001	WEDGE BULB
10	979547-001	WASHER, P.C. BOARD MOUNTING SCREW
11	988547-002	WASHER, P.C. BOARD MOUNTING SCREW
12	113444-001	SCREW, P.C. BOARD MOUNTING
13	979584-201	SPEED CONTROL P.C. BOARD ASSEMBLY (120V)
14	317350-002	EXTENSION LEADS WITH HOUSING PLUG (TRANSFORMER)
15	137813-002	SCREW, LINT AND HEAT SHIELD MOUNTING

ELECTRICAL EQUIPMENT



ELECTRICAL EQUIPMENT (CONT.)



## ELECTRICAL EQUIPMENT (CONT.)

MODEL: 7060N603

REF. NO.	PART NO.	DESCRIPTION
1	988529-022	MOTOR COMPLETE (120 VOLT)
2	37969	MOTOR ADJUSTING STUD NUT WASHER
3	314058	MOTOR BELT TENSION SPRING
4	53646	MOTOR ADJUSTING STUD NUT
5	988653-001	MOTOR ADJUSTING STUD
6	979329-001	RESILIENT MOUNT
7	988651-001	CLIP
8	113470-004	MOTOR MOUNTING SCREW
9	988549-005	PNEUMATIC TRANSDUCER
10	113444-003	PNEUMATIC TRANSDUCER MOUNTING SCREW
11	979583-003	PNEUMATIC CONTROLLER ASSEMBLY
15	988638-009	APPLIANCE COUPLER (120 VOLT) FOR (U.S.A. & CANADA)